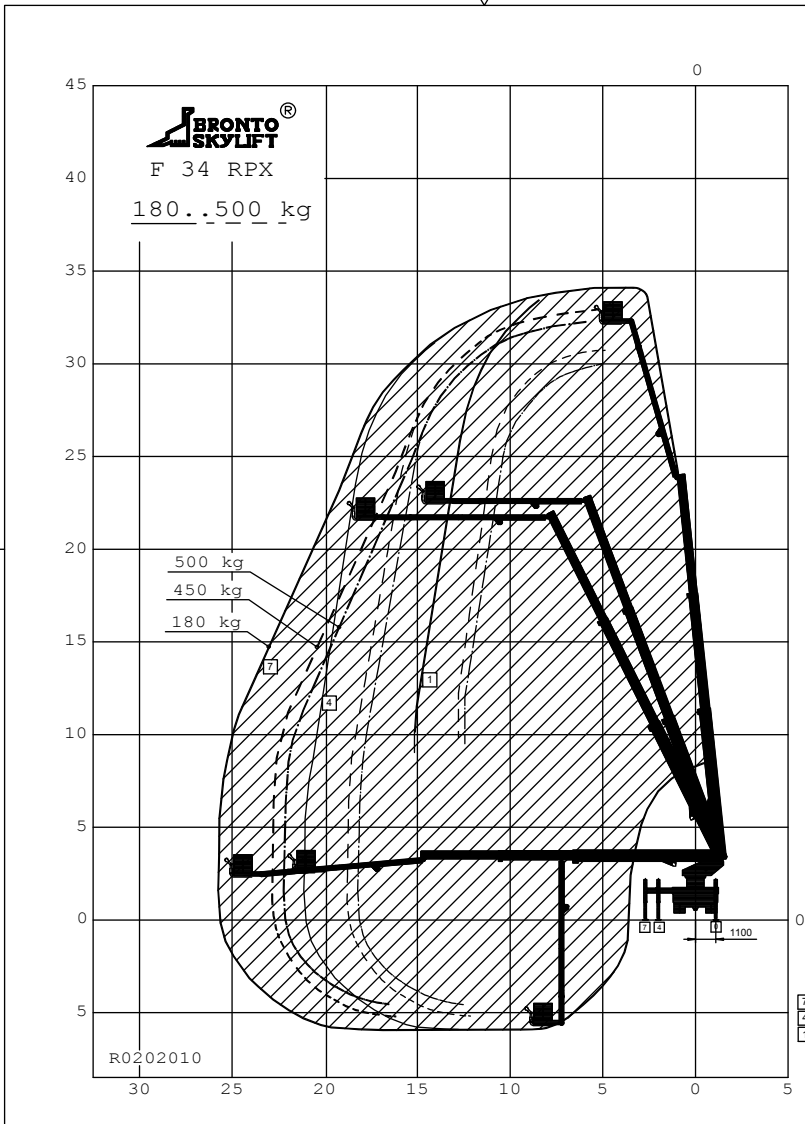


HANDLING ON CAD SYSTEM ONLY



TECHNICAL DATA	
Safe working load max.	: 500 kg
Waterpipe, NO ladder	
Max. permitted wind speed	: 12.5 m/s
Typical GVW	: 24 ton
min. operating weight	: 22 ton
Outrigger width and length c/c	
- normal jacking	: 5.4/5.9 m
- one side jacking	: 3.8/5.9 m
- narrow jacking	: 2.6/5.9 m
Calculation code	:

PRELIMINARY

All rights reserved
This specification may be revised without notice.
This document, which is our exclusive intellectual property, shall be treated as strictly private and confidential and shall neither be copied nor communicated to any third person without our written consent.
BRONTO SKYLIFT OY AB
Tampere Finland

1 : 225 BRONTO SKYLIFT F 34 RPX
(A3)
CODE: OUTREACH DIAGRAM
O SWL max 500 KG

PIIR. DWG NUMBER R0202010
BRONTOCAD

PRELIMINARY

ULOTTUVUUSKAAVIO
RÄCKVIDDSDIAGRAM
OUTREACH DIAGRAM
ARBEITSDIAGRAM
DIAGRAMA DE TRABAJO
РАБОЧАЯ СХЕМА

Tek. KKe 2015-11-12
Hyv.

- 7 2700 mm (extended 1700 mm =max)
- 4 2100 mm (extended 1000 mm)
- 1 1300 mm (extended 200 mm)

