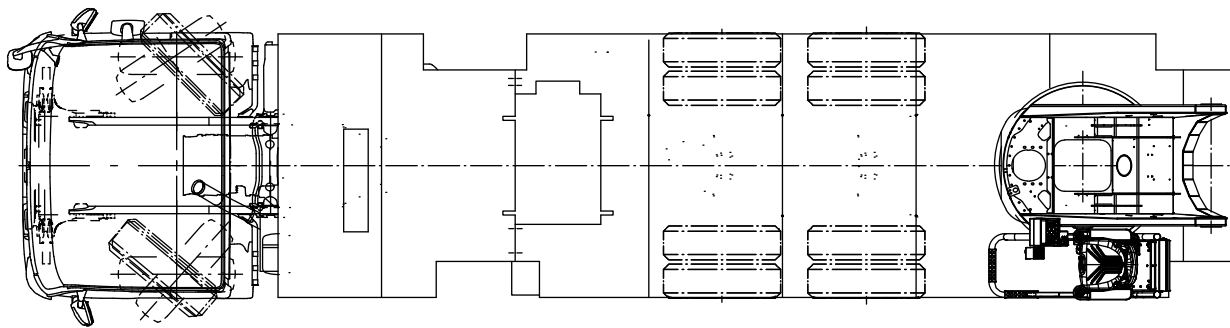
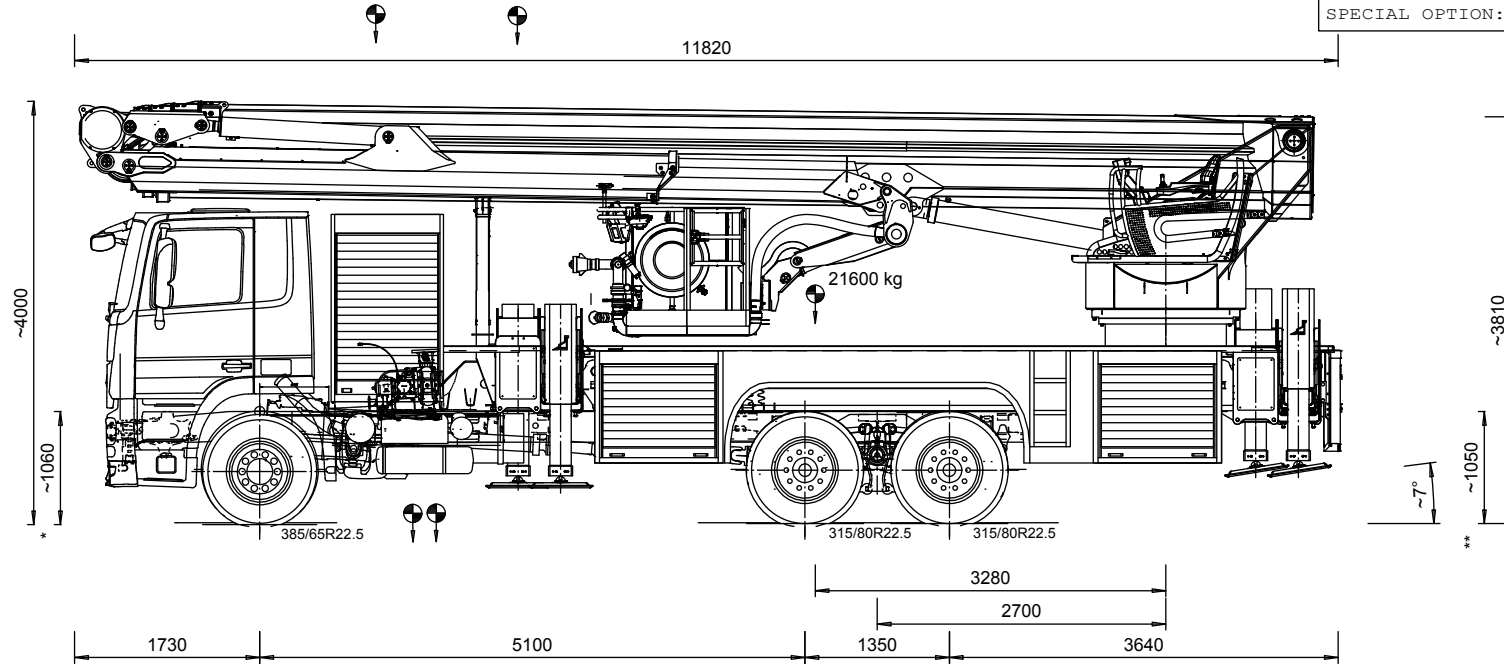


NOTE1:  
NOTE2:  
REMARKS: PRELIMINARY  
SPECIAL OPTION:

OUTREACH DIAGRAM: R0201870



WEIGHT CALCULATION	Front	Rear	Total
KG	Axle	Axle	Weight
Skylift	2170	19430	21600
Chassis	5500	4500	10000
Waterpipes	210	90	300
Fire pump	190	60	250
Persons	150		150
Auxiliary drive	60	40	100
Pump compartment	80	20	100
Vehicle	8360	24140	32500
Allowed	9000	26000	33000

All rights reserved  
Änderungen vorbehalten  
Sous reserve de modification

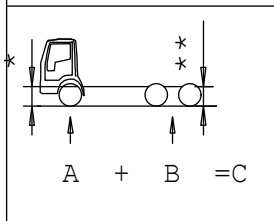
**HANDLING ON CAD SYSTEM ONLY**  
Valmistaja pidättää oikeuden muutoksiin  
Reservation for ändringar

1:50  
(A3)  
CODE: BRONTO SKYLIFT FL60XR  
MERCEDES BENZ  
ACTROS 3344/6x4/5100

DRAWN: PB1 2017-03-10  
APP'V'D:

**BRONTO SKYLIFT**  
BRONTO SKYLIFT OY AB FINLAND

LAYER: AS  
DWG NUMBER: F0220230  
REV: BRONTOCAD



rev description  
date  
name