

used

**BRONTO  
SKYLIFT**

## Bronto Skylift TLK 23-12



### Bronto Skylift TLK 23-12

**Price:**

Price upon request

**Year of construction / Registration date:**

2000 / 02.08.2000

**Serial number:** 4365-201

**Chassis:** MAN 18.284

**RPM h / operating hours:** 671 h / 1981 h

**Cage floor height (m):** 30 m

**Working height (m):** 32 m

**Max. Outreach (m):** 17 m (depending on GVW)

**Max. Cage load (kg):** 325 kg

**Max. turntable rotation degree:** 360°

**Cage inner size (LxWxH):** 1,0 x 2,1 x 1,1 m

**Platform mode of driving:** PTO

**Outrigger type:** H-type, Variable jacking

**Available upon:** By request

**Travelling length (m):** 8,70 m

**Travelling height (m):** 3,50 m

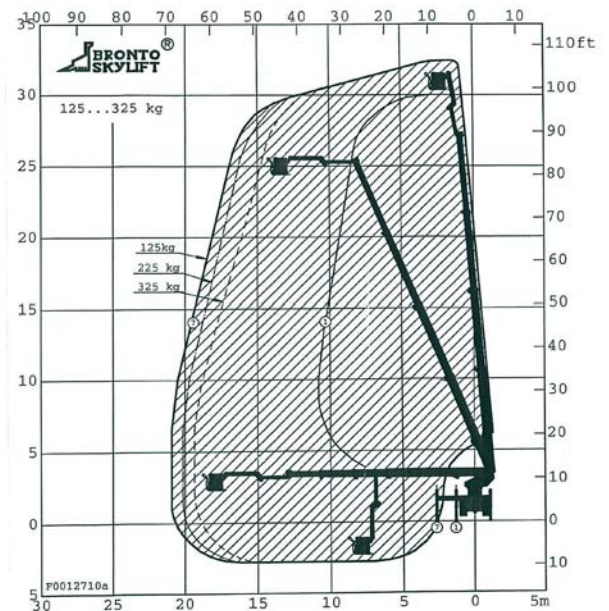
**Travelling width (m):** 2,5 m

**Weight:** Depending on chosen configuration, appr. 18 000 kg

**Color:** Red / White

**Contact:** BRONTO SKYLIFT AG - Ifangstrasse 111 - CH 8153 Rümlang - Customer service - Mr. Markus Fleck - bronto@brontoskylift.com - Tel. +41 44 818 80 40

ARBEITSBEREICHDIAGRAM



**Additional options:**

- Automatic levelling
- 6.5 Kva hydraulic generator (230/400V 50hz)
- Stretcher Carrier
- Turntable lockers on deck
- Locker behind the cabin
- Different working and flood lights